



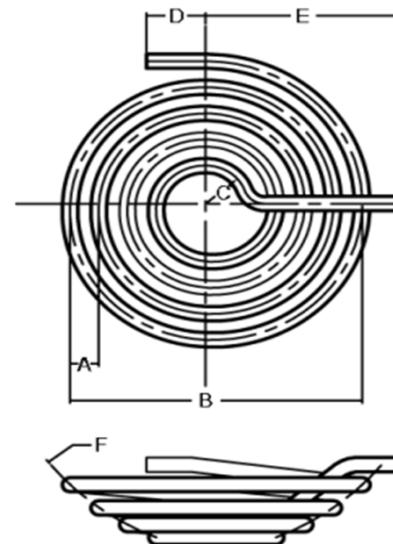
Tube & Coil Products, Inc.

Basket Coil

FAX TO: (203) 281-7368 TO RECEIVE YOUR QUOTE

Dimensions:

(A) Tube/Pipe Pitch:	
(B) Largest Center Diameter:	
(C) Smallest Radius:	
(D) Outside Tangent:	
(E) Inside Tangent:	
(F) Dish Radius (if known):	



Materials Of Construction:

Type Of Material:				
Pipe		(Circle One) OR		Tube
Pipe Size:		Tube OD:		
Schedule:		Wall Thickness:		

Brief Description Of Inlet/Outlet Tangents:

Braces Needed: Yes or No

Brief Description If "Yes":

Additional Notes:

Contact Information:

Company:	
Name:	
Phone:	
Email:	
Date:	

J.F.D. Tube & Coil Products, Inc.

7 Hamden Park Drive
Hamden, CT 06517

Phone: (203) 288-6941 **Toll Free:** (800) 824-2664

Fax: (203) 281-7368

Website: www.jfdcoil.com **Email:** info@jfdcoil.com