



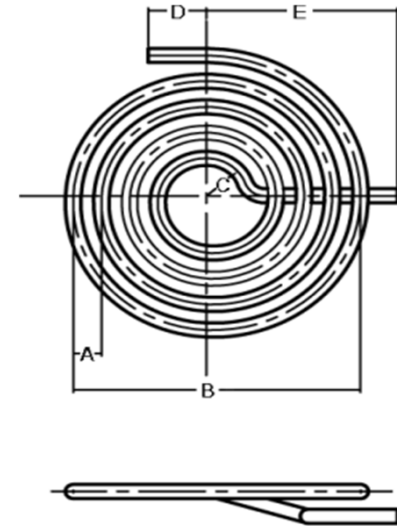
Tube & Coil Products, Inc.

Flat Spiral Coil

FAX TO: (203) 281-7368 TO RECEIVE YOUR QUOTE

Dimensions:

| | |
|------------------------------|--|
| (A) Tube/Pipe Pitch: | |
| (B) Outside Center Diameter: | |
| (C) Inside Radius: | |
| (D) Outside Tangent Length: | |
| (E) Inside Tangent Length: | |
| | |
| | |
| | |



Materials Of Construction:

| | | | | | |
|-------------------|--|--------------------|--|------|--|
| Type Of Material: | | | | | |
| Pipe | | (Circle One) OR | | Tube | |
| Pipe Size: | | Tube OD: | | | |
| Schedule: | | Wall Thickness: | | | |

Brief Description Of Inlet/Outlet Tangents:

Braces Needed: Yes or No

Brief Description If "Yes":

Additional Notes:

Contact Information:

| | |
|----------|--|
| Company: | |
| Name: | |
| Phone: | |
| Email: | |
| Date: | |

J.F.D. Tube & Coil Products, Inc.

7 Hamden Park Drive
Hamden, CT 06517

Phone: (203) 288-6941 **Toll Free:** (800) 824-2664

Fax: (203) 281-7368

Website: www.jfdcoil.com **Email:** info@jfdcoil.com