

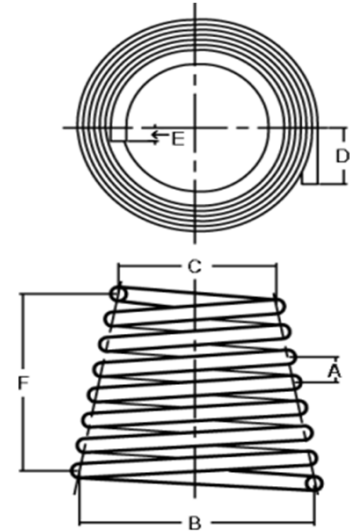


Tube & Coil Products, Inc.

Tapered Spiral Coil

FAX TO: (203) 281-7368 TO RECEIVE YOUR QUOTE

<u>Dimensions:</u>	
(A) Tube/Pipe Pitch:	
(B) Outside Center Diameter:	
(C) Inside Center Diameter:	
(D) Outside Tangent Length:	
(E) Inside Tangent Length:	
(F) Height or Number of Turns:	



<u>Materials Of Construction:</u>			
Type Of Material:			
Pipe	(Circle One)	Tube	
	OR		
Pipe Size:		Tube OD:	
Schedule:		Wall Thickness:	

Brief Description Of Inlet/Outlet Tangents:

Braces Needed: Yes or No

Brief Description if "Yes":

Additional Notes:

Contact Information:

Company:	
Name:	
Phone:	
Email:	
Date:	

J.F.D. Tube & Coil Products, Inc.

7 Hamden Park Drive
Hamden, CT 06517

Phone: (203) 288-6941 **Toll Free:** (800) 824-2664
Fax: (203) 281-7368

Website: www.jfdcoil.com **Email:** info@jfdcoil.com