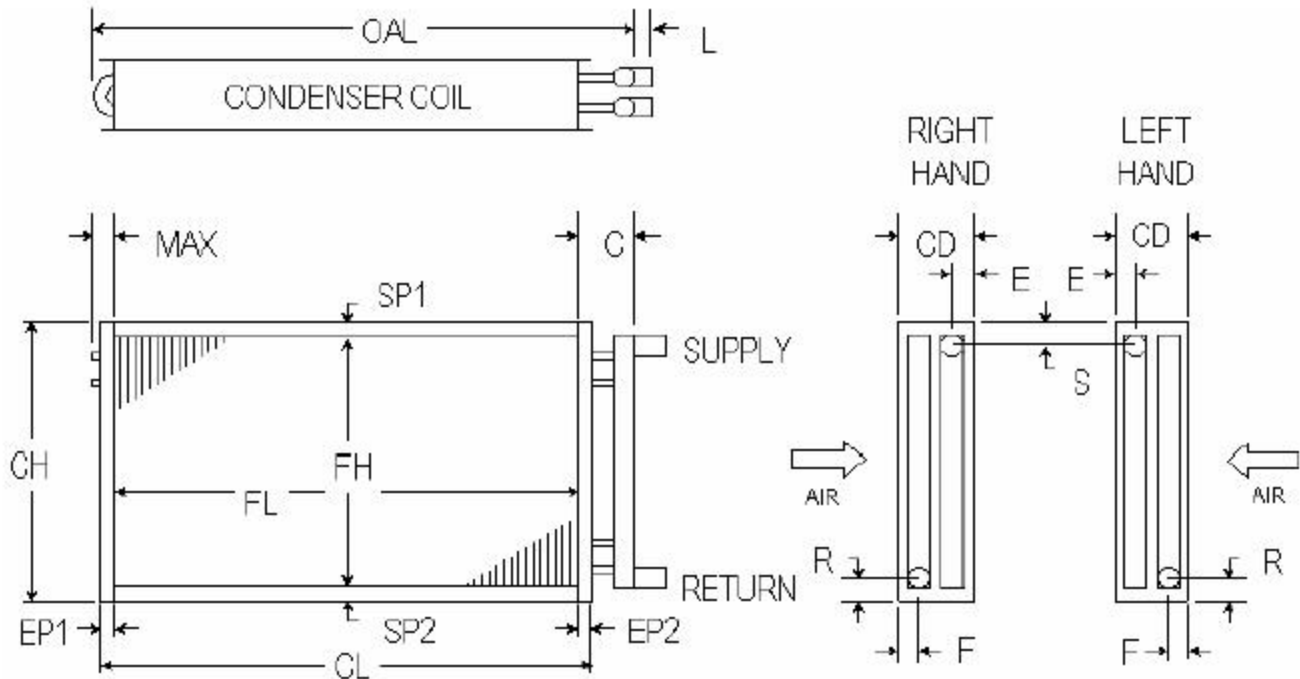


CONDENSER COILS



ROWS AVAILABLE	1	2	3	4	5
	6	8	10	12	
FPI AVAILABLE	6	7	8	9	10
	11	12	13	14	
TUBES OD & Wall Thickness COPPER ONLY	5/8	.020	.025		
	1/2	.035	.049		
FINS Material & Thickness	ALUM.	.006	.010		
	COPPER	.006			
CASING	16 GA. GALV. STEEL 16 GA. STAINLESS STEEL				
HEADERS COPPER ONLY	5/8	7/8	1 1/8		
	1 3/8	1 5/8	2 1/8		
	2 5/8	3 1/8			

DIMENSIONAL DATA IN INCHES

SUPPLY RETURN

CONNECTION SIZES SWEAT

ITEM	QTY	ROWS	FPI	SP1	FH	SP2	CH	EP1	FL	EP2	CL	MAX	C	OAL	L	CD	S	E	R	F	SUPPLY	RETURN	CU

P.O. #		CUSTOMER		JFD Tube & Coil Products, Inc. PO Box 6309 / 7 Hamden Park Dr Hamden, CT 06517 Ph: (800) 824-2664 Fx: (203) 281-7368 Visit Our Website: www.jfdcoil.com
W.O. #		MODEL NO.		
APPROVED BY		TAG:		
DATE		NOTES		

Performance Data	CFM	EAT	EVAPORATOR TEMP	REFRIGERANT	CAPACITY
------------------	-----	-----	-----------------	-------------	----------



Basic Measuring Guidelines

Rows

- Horizontal rows of tubes in the fin pack

FPI - Fins Per Inch

FH - Fin Height

FL - Fin Length

SP1, SP2 - Sideplate Flanges

- Called sideplates because coil face lays flat on the table during tube expansion

EP1, EP2 - Endplate Flanges

- Also called tube sheets

CH - Casing Height

$CH = SP1 + FH + SP2$

CL - Casing Length

$CL = EP1 + FL + EP2$

CD = Casing Depth

- CD must be greater than (# Rows) *
(Centerline Distance Between Rows)

Max

- Dimension from the edge of the fin pack to the outside of the return bend

L - Connection Length

"C" Dimension

- Dimension from the edge of the fin pack to the outside of the header

OAL - Overall length

- Dimension from the edge of the return bends to the outside of the header

$OAL = MAX + FL + C$

S, R, E, F - Connection Locations

- Measured from the sides of the casing to the centerline of the connection